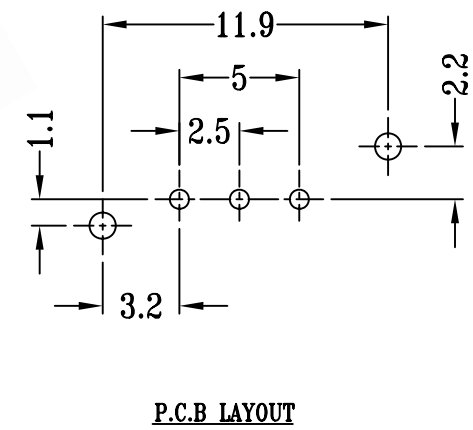
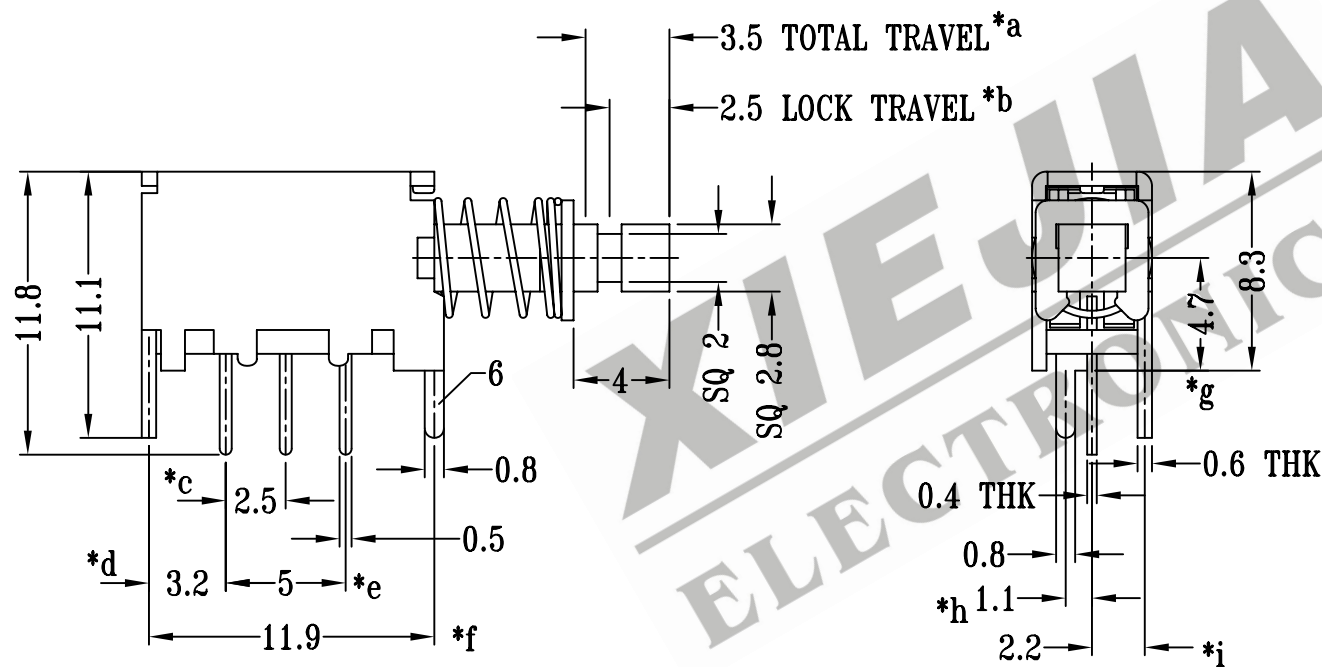
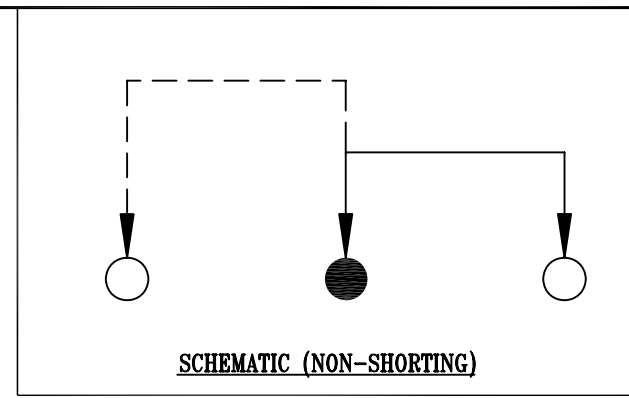
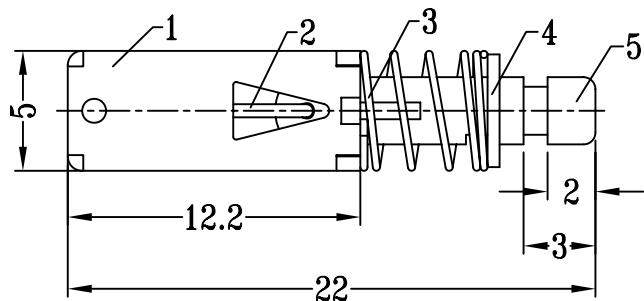


CAD FILE:



注:带*表示关键尺寸(9个)

| NO. | PART NAME | MATERIAL | Q'TY | FINISHING |
|-----|--------------|----------------|------|--------------------------|
| 9 | CONTACT CLIP | PBS | 1 | Ag CLAD |
| 8 | SPRING PLATE | PBS STRIP | 1 | NATURAL |
| 7 | BASE | PHENOLIC RESIN | 1 | NATURAL |
| 6 | TERMINAL | BRASS STRIP | 3 | Ag PLATED OVER Ni PLATED |
| 5 | KNOB | POM | 1 | BLUE |
| 4 | BLOCK | STEEL STRIP | 1 | Ni PLATED |
| 3 | SPRING | STEEL WIRE | 1 | Ni PLATED |
| 2 | CAM STICK | PBS WIRE | 1 | NATURAL |
| 1 | FRAME | STEEL STRIP | 1 | Ni PLATED |

| | | | | | |
|---|--|--------------------------------------|----------------------------|-----------|-----------|
| TOLERANCE UNLESS SPECIFIED | | SHENZHEN XIEJIA ELECTRONICS CO.,LTD. | | | |
| WITHIN: 1.5±0.1mm OVER : 1.5±0.2mm | | | | | |
| TITLE : PUSH SWITCH | | UNIT : MM | DRWG NO.: XJ-DR-PS12E05-00 | | APPD. |
| MODEL: PS-12E05 | | SCALE: 3:1 | DWN. | ZHOUYU | 2002-1-20 |
| ALL MATERIALS MUST BE COMPLIANT TO ROHS | | | CHK'D | FANGYING | 2002-1-20 |
| | | | APPD. | KANGXINAN | 2002-1-20 |